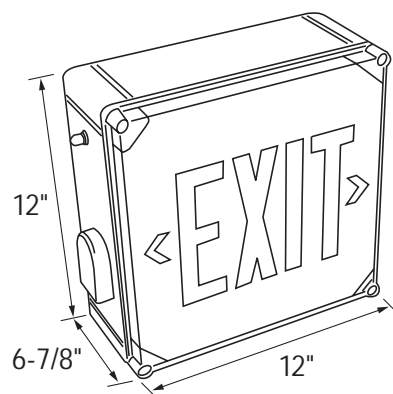


Wet Location Polycarbonate LED Exit Sign



Dimensions:



100110 Series

Standard Features:

HOUSING

- ▶ ABS, corrosion-resistant UV stabilized enclosure.
- ▶ Directional chevron inserts are easily removed.
- ▶ Letters 6" high with 3/4" stroke.
- ▶ Watertight, raintight, corrosion and dust resistant.
- ▶ Suitable for use in damp and wet locations.
- ▶ Operating temperature range: 0°C to 40°C.
- ▶ Certified by ETL to UL924 standards.
- ▶ Meets NFPA Life Safety 101, OSHA, NEC local and state codes.

MOUNTING

- ▶ 100110 Series exit signs are designed to mount to walls with four 1/4" integral mounting holes in the unit housing.
- ▶ Mounting hardware provided.
- ▶ Housings are easily drilled or punched to accept sealed conduit hubs.

Electrical Features:

ELECTRICAL

- ▶ 120/277 VAC dual voltage operation.
- ▶ Low energy consumption - only 2.4 watts at 120V.
- ▶ LED indicator light and push-button test switch.

LAMPS

- ▶ LEDs mounted on printed circuit board.
- ▶ LED lamps are operational in Normal (AC input) and Emergency (DC input) modes.

BATTERY

- ▶ Maintenance-free nickel cadmium battery (4.8V 650mA) delivers more than 90 minutes capacity to emergency lamps.
- ▶ 24-hour recharge after 90 minute discharge.
- ▶ Low voltage battery disconnection prevents deep discharge damage to the battery.

Ordering Information:

Item No.	Internal	Panel Color	Housing Color
100110	A: AC Only S: Self-powered	R: Red G: Green	SW: Soft White



Globe Lighting

A Devan Industries Co.

2901 Clint Moore Road #229
Boca Raton, FL 33496

305.777.2388 tel
561.998.4164 fax

Email: sales@globe-lighting.com
Web: www.globe-lighting.com